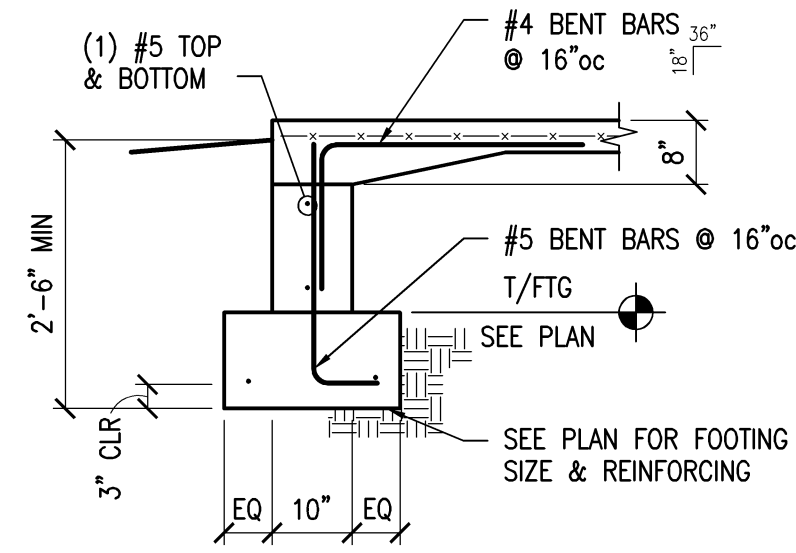
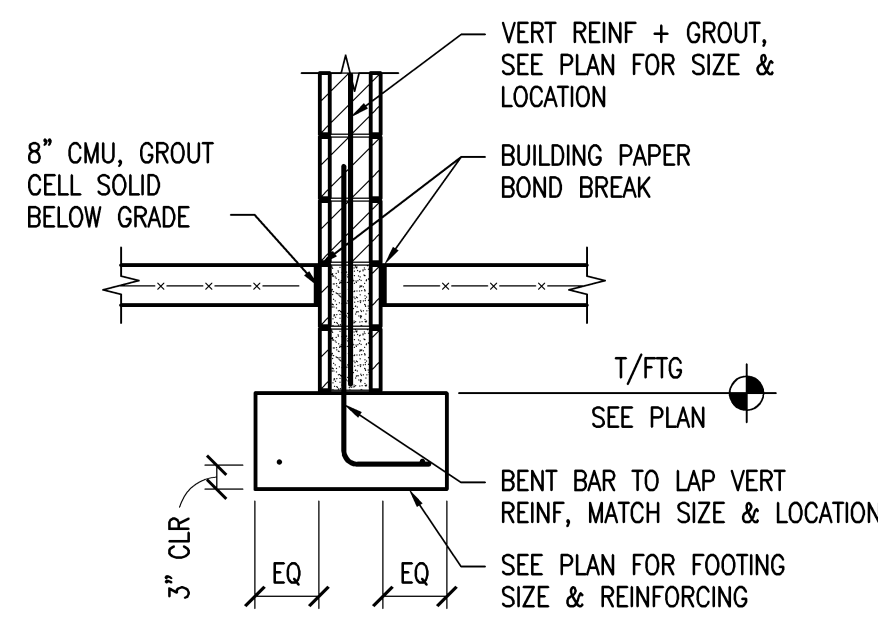


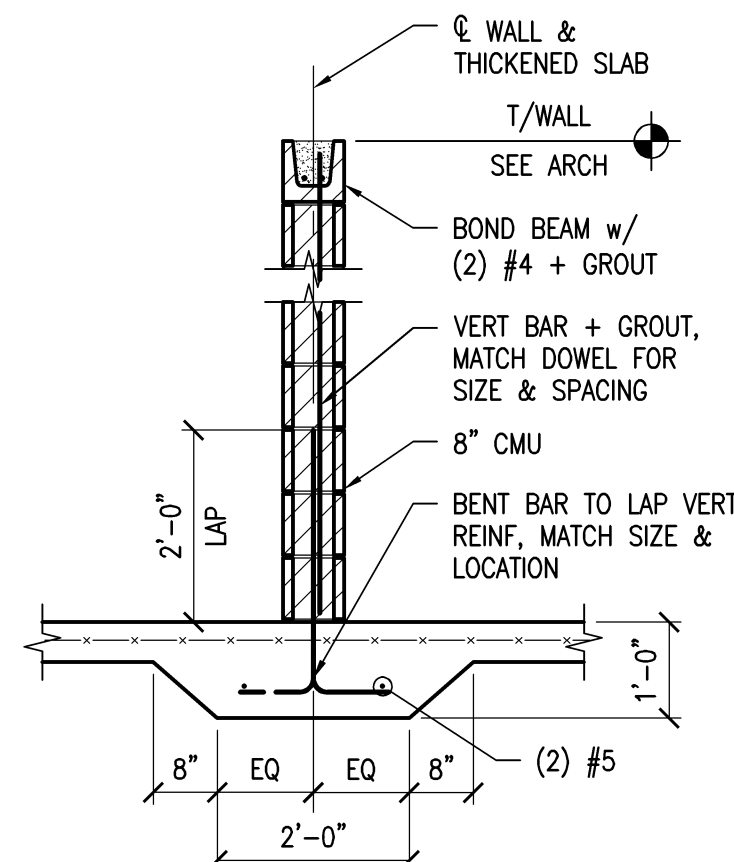
SECTION 1
1/2"=1'-0" S-3



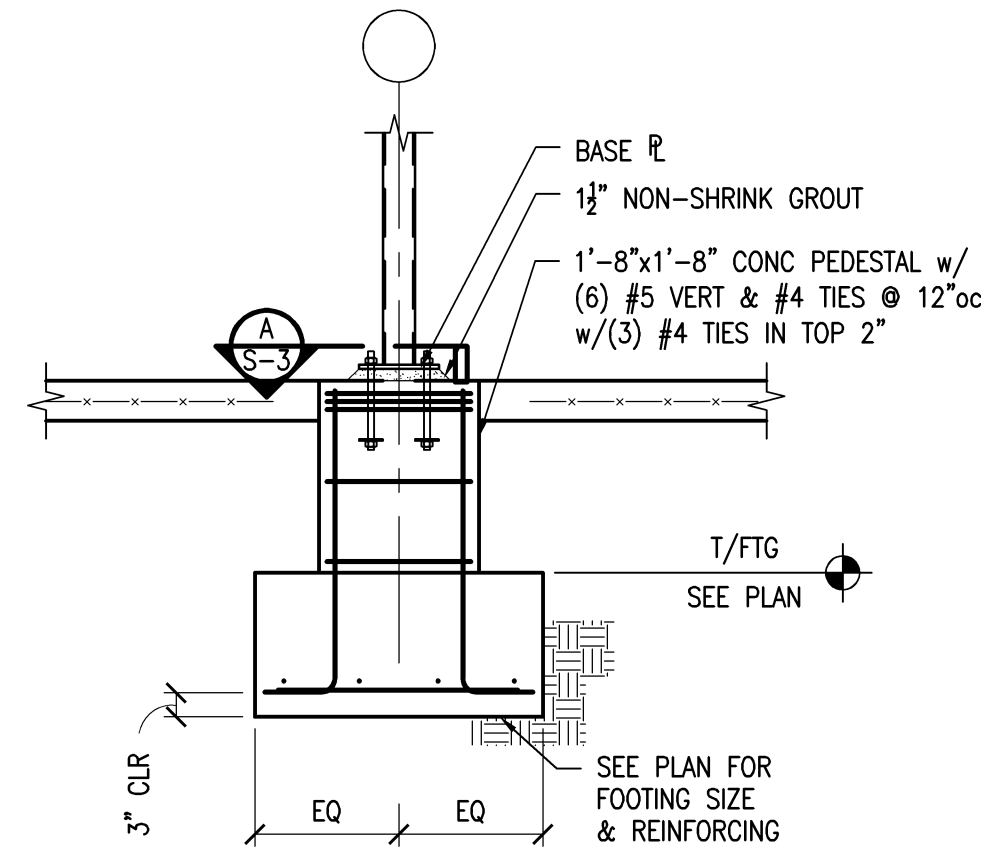
SECTION 2
1/2"=1'-0" S-3



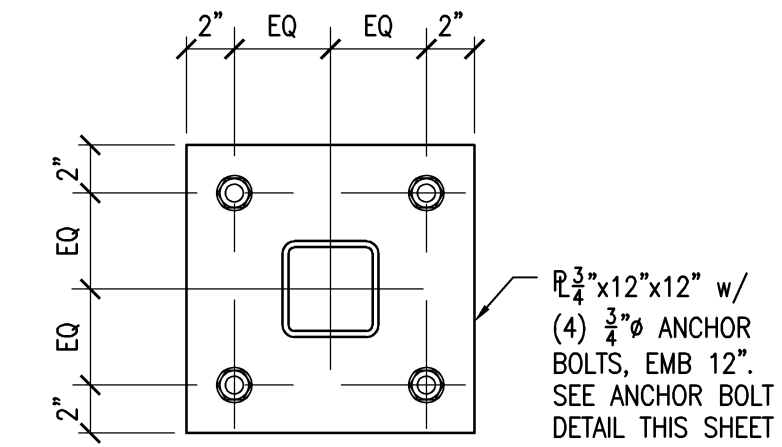
SECTION 3
1/2"=1'-0" S-3



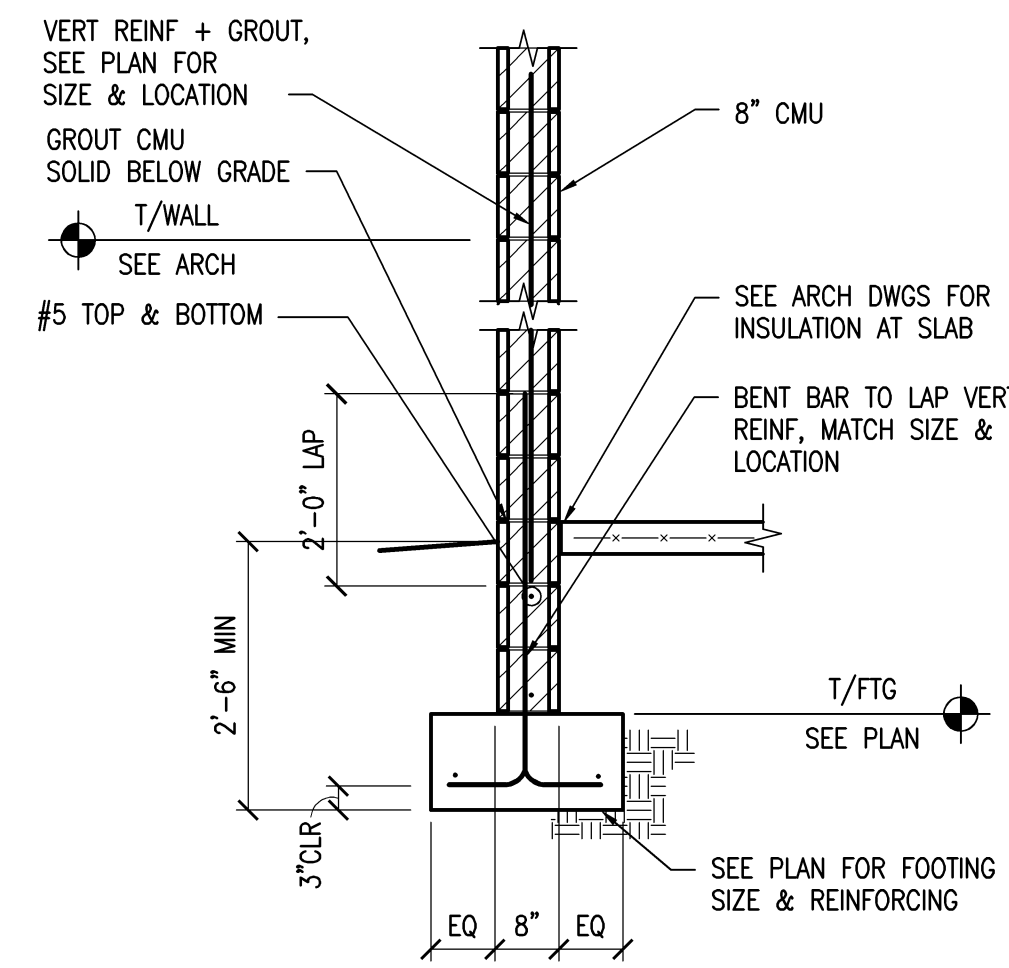
SECTION 4
1/2"=1'-0" S-3



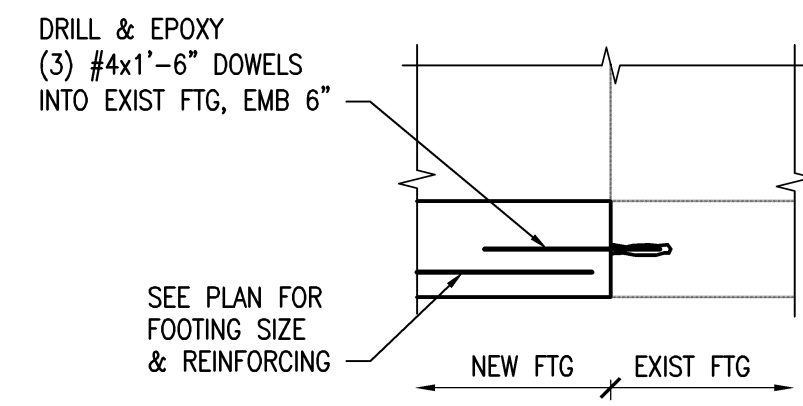
SECTION 5
1/2"=1'-0" S-3



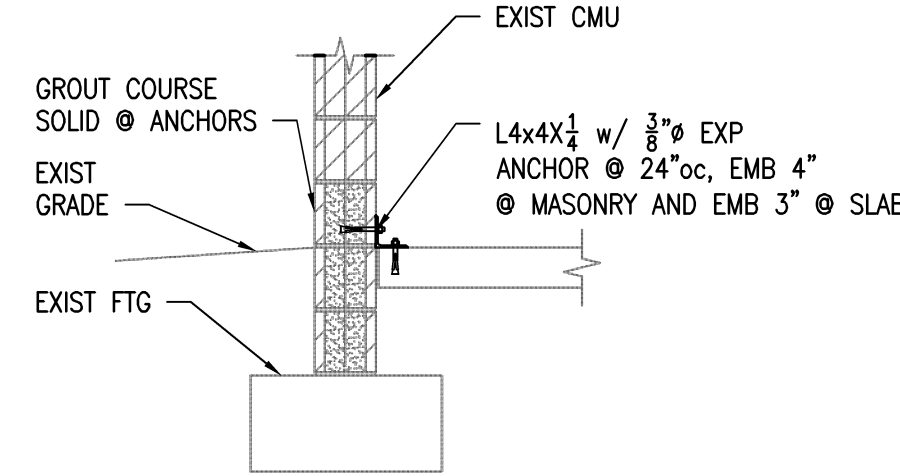
DETAIL A
1 1/2"=1'-0" S-3



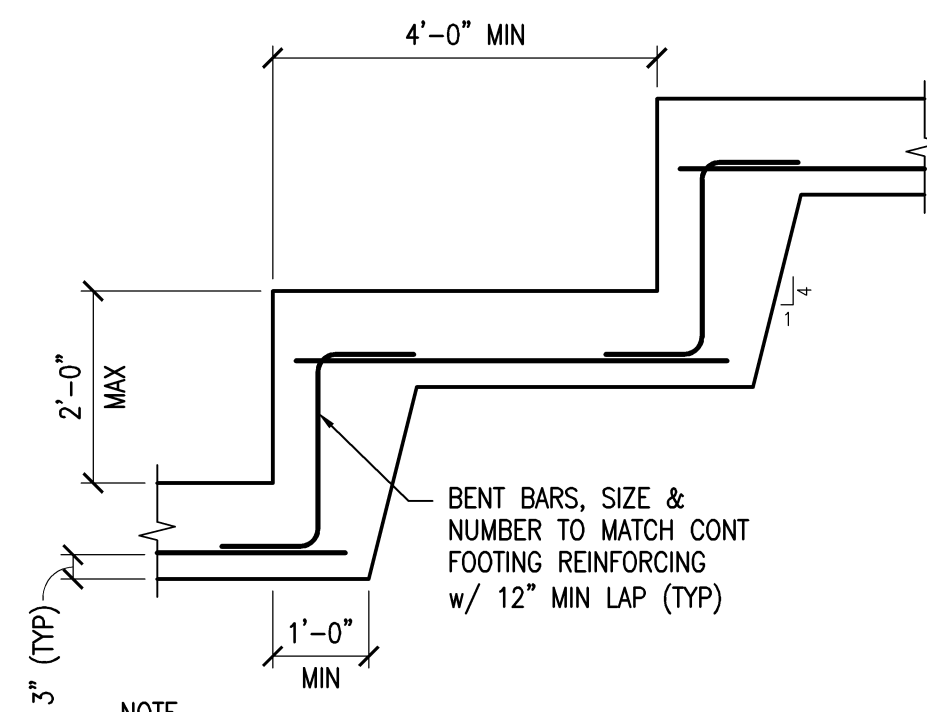
SECTION 7
1/2"=1'-0" S-3



TYPICAL DETAIL AT INTERFACE OF NEW AND EXIST FTG
1/2"=1'-0"



SECTION 6
1/2"=1'-0" S-3



NOTE: SEE FOUNDATION SECTIONS FOR WALL & FOOTING REINFORCING & RELATING NOTES.

TYPICAL STEP IN FOOTING
1/2"=1'-0" S-3

COPYRIGHT © 2011
THIS DOCUMENT IS THE PRODUCT AND EXCLUSIVE PROPERTY OF STEVEN SCHAEFER ASSOCIATES, INC. NEITHER THE DOCUMENT NOR THE INFORMATION IT CONTAINS MAY BE COPIED OR USED FOR OTHER THAN THE SPECIFIC PURPOSE FOR WHICH IT WAS PREPARED, WITHOUT THE WRITTEN CONSENT OF STEVEN SCHAEFER ASSOCIATES, INC.

Steven Schaefer Associates, Inc.
Consulting Structural Engineers
1001 Lakeside, Suite 101, Columbus, IN 47311
Phone: 317-542-3300 Fax: 317-542-5400
www.ssastructural.com

09/13/2011
NRW/GJB
1118.55
01fp1855.dwg

REVISIONS
X 09/13/2011 PERMIT

FOUNDATION SECTIONS
HIDDEN VALLEY POOL HOUSE
19308 Schmarr Drive
Lawrenceburg, IN 47025

Sheet Title
Project Title

Issue No. 0
Sheet No. S-3 OF 0

PLOT DATE: Sep. 13. 2011, 3:50PM, FILE NAME: 01fp1855.dwg, PLOTTED BY: acm