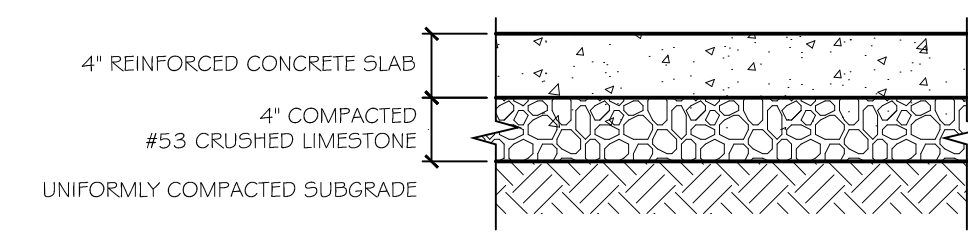
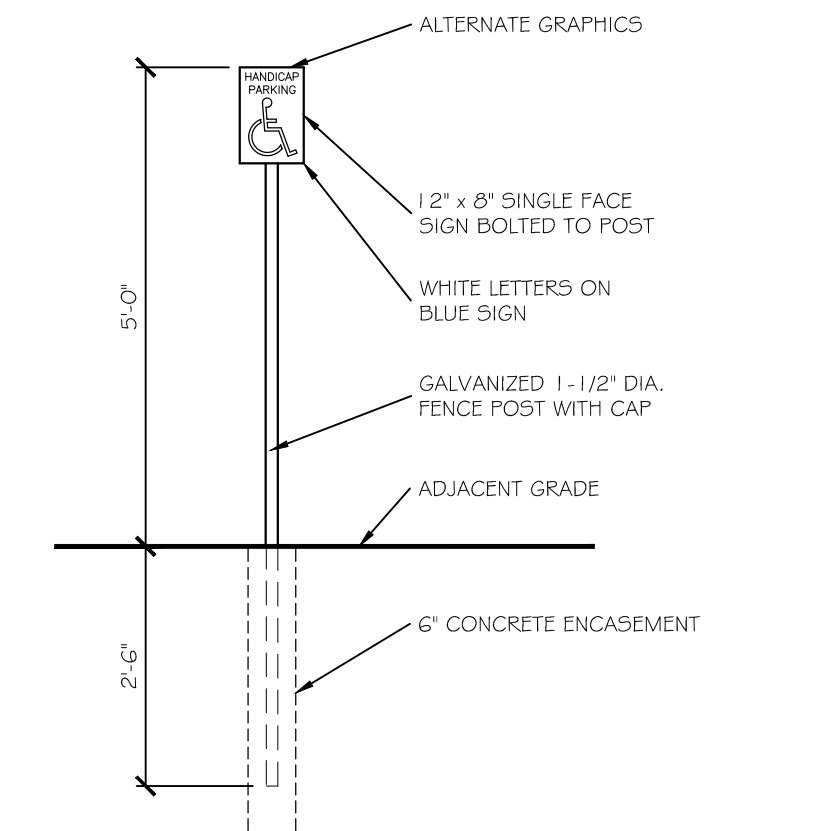


ON-GRADE FLOOR DRAIN
 SCALE: 1" = 1'-0"

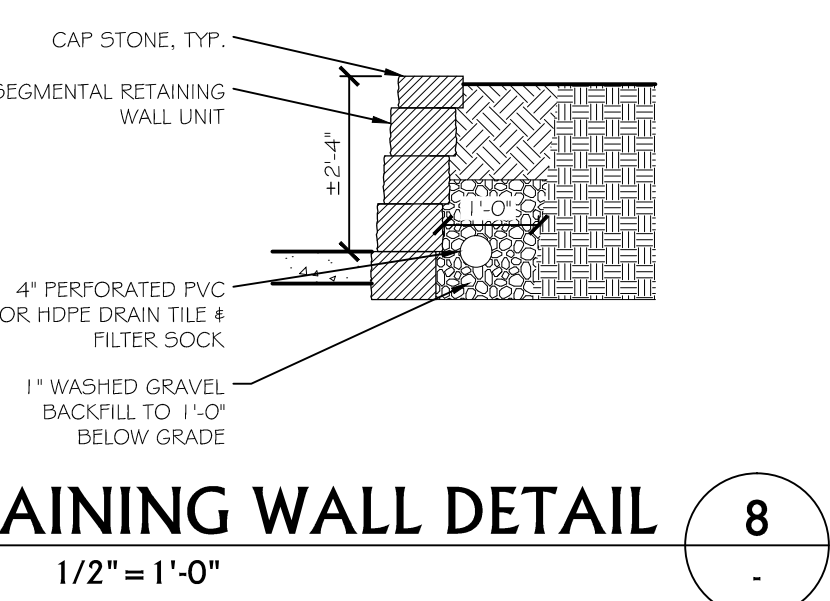
FENCING KEY NOTES	
1	TOP RAIL AS SPECIFIED
2	PLASTIC FENCE TOPPER, NOT APPLICABLE
3	DIAMETER OF POSTS AS SPECIFIED
4	BOTTOM RAIL AS SPECIFIED
5	GRADE
6	CONCRETE FOOTING AS SPECIFIED
7	FENCE FABRIC
8	TENSION BAND
9	TENSION BAR TO ENGAGE EACH FABRIC LINK
10	CARRIAGE BOLT
11	TENSION WIRE
12	9-GAGE TIE WIRES (1/2" O.C. MAX. AND WITHIN 4" FROM BOTTOM OF FABRIC)



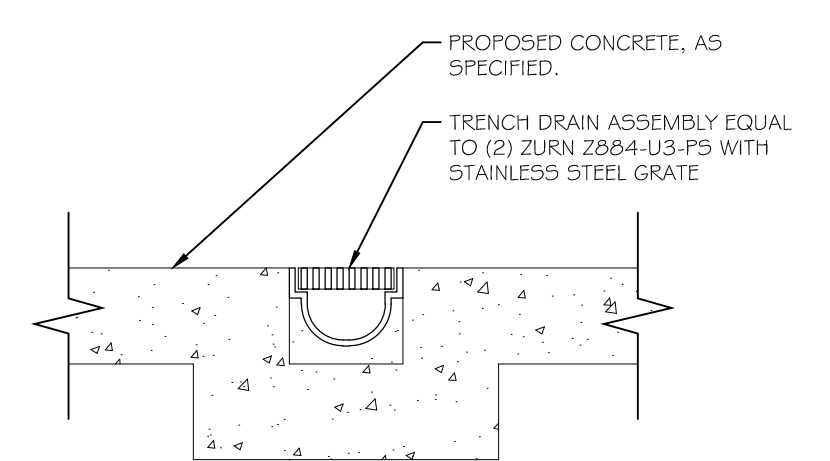
TYP. CONCRETE WALK
 SCALE: 1" = 1'-0"



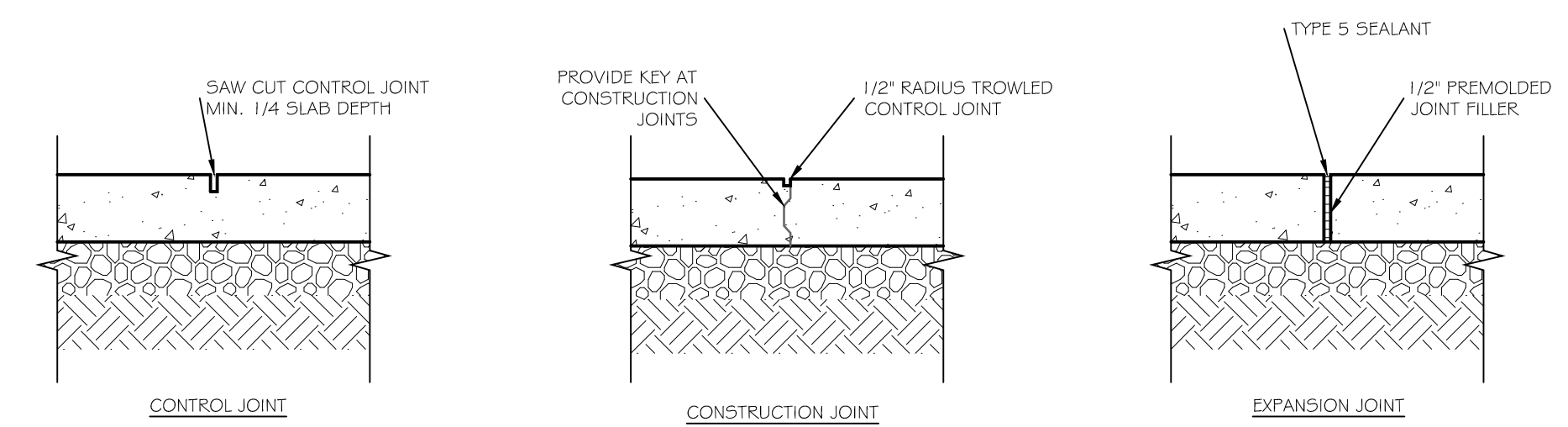
HANDICAP SIGN
 SCALE: 1/2" = 1'-0"



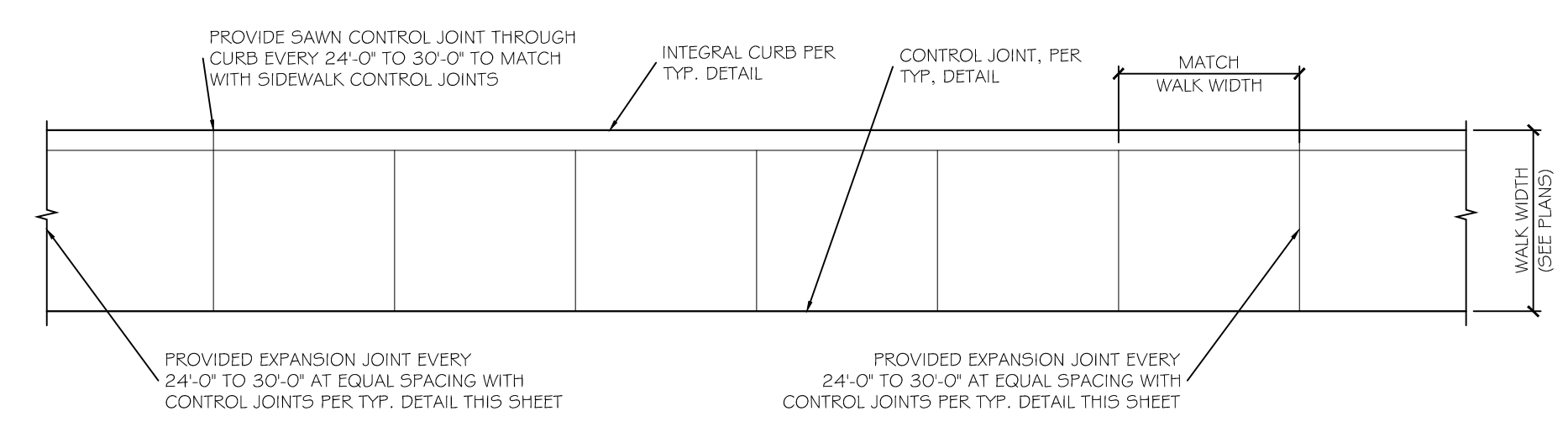
RETAINING WALL DETAIL
 SCALE: 1/2" = 1'-0"



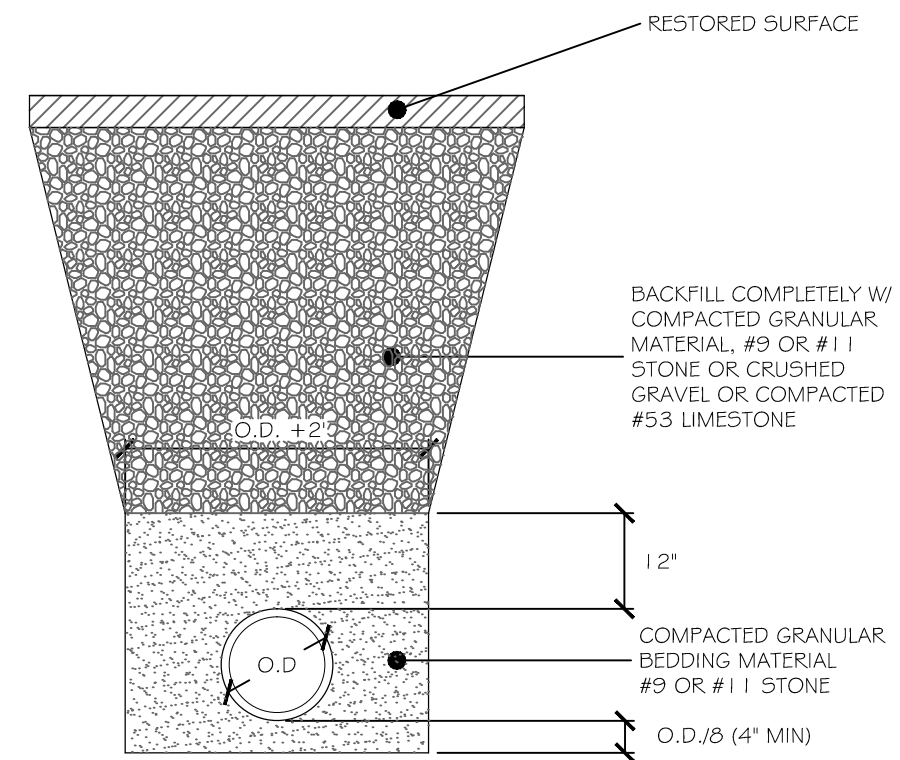
TRENCH DRAIN
 SCALE: 1-1/2" = 1'-0"



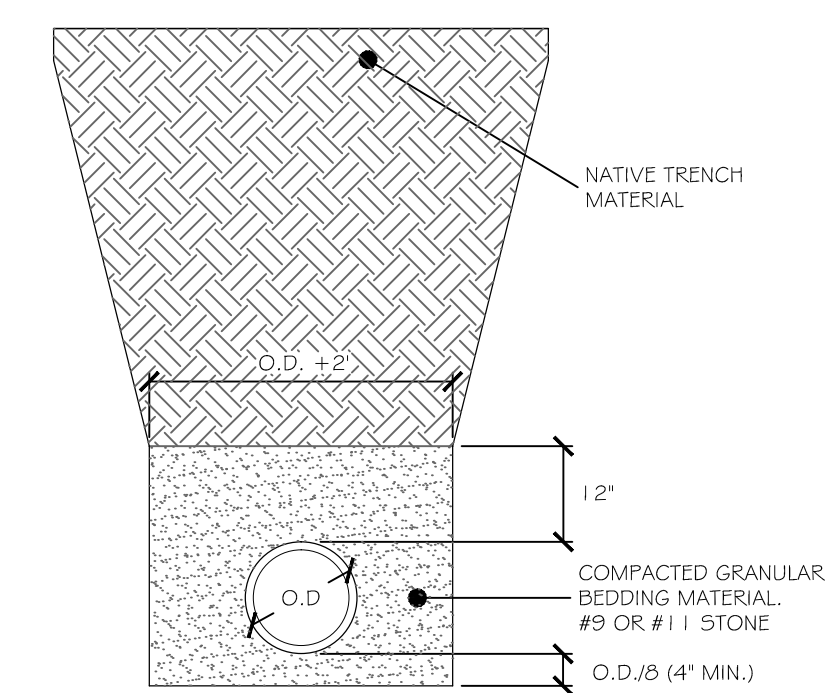
TYP. JOINT DETAILS
 SCALE: 1" = 1'-0"



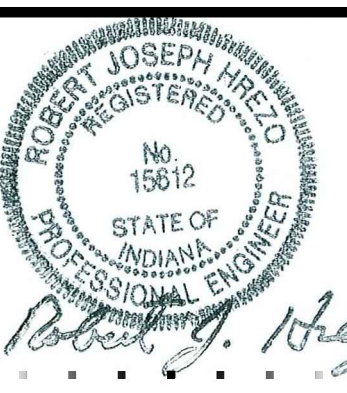
TYP. SIDEWALK JOINT DETAIL
 SCALE: 3/16" = 1'-0"



BACKFILL DETAIL #2 FLEXIBLE PIPE
 SCALE: 1/2" = 1'-0"



BACKFILL DETAIL #1 FLEXIBLE PIPE
 SCALE: 1/2" = 1'-0"



CERTIFIED
 DATE CERTIFIED

© Copyright
 These plans and specifications are an unpublished instrument of service and are the property of Hrezo Engineering, Inc. Any use or reproduction of these documents without written permission from Hrezo Engineering, Inc. is prohibited.

RELEASE	
01	09.02.11
02	09.14.11

HIDDEN VALLEY LAKE POOL HOUSE
 MILLER TOWNSHIP, IN 47025
 OWNER : HIDDEN VALLEY LAKE P.O.A.

DATE : 09.15.11
 DRAWN BY : CMH
 CHECKED BY :
 APPROVED BY :
 PROJECT # : AA1010

C-5.1
 SITE DETAILS